



## MONTIGO

### Flush Face Fireplace Planning Guide



*L-Series DF*

*L-Series DF-ST*

*H-Series DF*

*H-Series DF-ST*

*HL-Series DF*

*HW-Series DF*

# The Art Of Fire Places

[www.montigo.com](http://www.montigo.com)

## CONTENTS

INTRODUCTION:	3
BEFORE YOU BEGIN:	3
WHAT'S IN THE BOX:	3
WHAT'S OPTIONAL:	4
PLACING A MONTIGO FLUSH FACE DV GAS FIREPLACE:	4
VENTING A MONTIGO FLUSH FACE DV GAS FIREPLACE:	5
FACING A MONTIGO FLUSH FACE DV GAS FIREPLACE:	6 - 9
SUMMARY	10
CONTACT INFORMATION:	10
APPENDIX:	11 - 13
NOTES:	13

## INTRODUCTION:

This Planning guide is intended to assist the Architect, designer, builder and homeowner when choosing the most appropriate installation type and location for your new Montigo Flush Face Direct Vent fireplace.

This guide is not intended to substitute for the Montigo Installation guide for the gas fireplace of choice. The Operation and Maintenance Manual designed for your Direct Vent fireplace should be followed without exception. For a listing of all Montigo Direct Vent fireplaces, see;

**[www.montigo.com/products.html](http://www.montigo.com/products.html)**

## BEFORE YOU BEGIN:

The Flush Face Direct Vent fireplace is a vented heating appliance. *It must be installed by a qualified installer* . If you have not yet contacted with an installer this would be a perfect time to do so. You can see all the installers for your State, or Province, at;

**[www.montigo.com/dealer.html](http://www.montigo.com/dealer.html)**

## WHAT IS A DIRECT VENT ?:

The Flush Face Direct Vent fireplace is listed as 'Direct vent' fireplace. This description means that all the air for combustion comes directly from the outside atmosphere and all flue gasses are discharged directly to the outside atmosphere.

## WHAT IS IN THE BOX ?:

The Flush Face Direct Vent fireplace currently ships with; one box of glass beads, or two for See-thru models (*Linear Burner models only*), one nailing flange extension, and one door opener tool. The fireplace can also be turned on/off via a switch supplied by your installer, or order the optional remote control.

***Note: Read the installation / operation instructions for your specific Montigo Direct Vent fireplace. Vent pipe must also be ordered separately through your retailer or Montigo.***

## WHAT'S OPTIONAL:

There are two optional accessories for your Montigo Flush face Direct vent fireplace; a fan kit and a surround.

- The fan kit requires switched 110 volts AC to operate and should be installed in the fireplace *before the fireplace is installed in the building*. It is not controlled by the remote control.
- The surrounds are decorative. They serve the function of framing the fireplace opening. Montigo currently offers two surrounds; one manufactured from steel, painted flat black to match the fireplace, or the other formed from stainless steel. The customer may also choose to design their own using materials such as stone or tile.

## PLACING A MONTIGO FLUSH FACE FIREPLACE:

The Montigo Flush face Direct vent fireplaces are zero clearance fireplaces which can be installed in a variety of locations. For example, you could install it against an outside wall and the unit could be vented out the rear or side, (*12" maximum pipe length*). The Montigo Direct vent fireplace can also be installed along a inside wall as well. The vent pipe would run vertically, horizontally or a combination of both.

***Note: Read the venting requirement for your specific Montigo Direct Vent fireplace.***

Although the industry term zero-clearance is used to describe the Direct vent fireplace of choice, there are some limitations and restrictions. This installation of the typical Montigo flush face fireplace will proceed from the bottom of the unit, and will hopefully be explained as clearly as possible in a step by step format.

- Montigo flush face fireplaces vary in weight, but the installation type or specification does not change due to this specification. The Montigo flush face fireplace can sit on any material that provides a level and solid support structure for a fireplace. Standard 2 x 4 construction is generally sufficient to install a Montigo flush face fireplace.

**Note: If the fireplace is extremely large, as in some of Montigo's Custom fireplaces, it will require engineering to install and support.**

- The Montigo flush face Direct Vent fireplace burns either natural gas (NG) or liquified petroleum gas (LP) but not both. You must specify your preference at the time of order.

- The gas connection is accommodated through a cutout located at the bottom of the left side wall of the fireplace. (See the Figure titled "Gas connection" in your specific installation instruction guide). Your plumber / gas fitter will have to bring your gas supply through this hole
- Unless the optional fan kit is installed, no external electrical power is required.

## VENTING A MONTIGO FLUSH FACE FIREPLACE:

Currently the Montigo Flush face Direct vent fireplaces is listed for use with Montigo vent pipe *only*. This vent pipe is generally available from Montigo or your local retailer. See;

**[www.montigo.com/dealer.html](http://www.montigo.com/dealer.html)**

- The installation of the Montigo flush face Direct vent fireplace venting is critical to its safe operation and MUST be performed by qualified personnel.
- The fireplace may be vented through the top or the rear of the cabinet, but not both. When venting out the rear of the fireplace, (*read your instruction guide to determine if your fireplace can be vented from this location*) the vent pipe can not be longer than twelve inches when it has no rise. In a vertical vent configuration the maximum height is thirty-two feet. Generally speaking, the more rise in your vent configuration the more run you're allowed.

***Note: Read the venting requirement for your specific Montigo Direct Vent fireplace.***

Current Montigo Direct Vent fireplaces: **[www.montigo.com/products.html](http://www.montigo.com/products.html)**

Discontinued Montigo Direct Vent fireplaces: **[www.montigo.com/archive.html](http://www.montigo.com/archive.html)**

- In all configurations, the vent graphs for the Direct Vent installations are specific for the proper operation of your Montigo fireplace. Consult the Operation and Maintenance Manual before any vent run is installed. Generally speaking the Instruction guide is the final authority for all vent pipe run specifications. Only one fireplace is allowed on each vent run.
- A powered vent option is also available which adds even more flexibility and will change the above limits. Once again, consult the Instruction / operation manual for the min / max venting specifications for your model fireplace. If a Power vent is required to complete your project consult with your Montigo representative; **[www.montigo.com/dealer.html](http://www.montigo.com/dealer.html)**.

- Please consult the instruction guide that arrived with your flush face Direct Vent fireplace. If you did not receive a guide in the packaging of your new Montigo fireplace, see;

Current Montigo Direct Vent fireplaces: [www.montigo.com/products.html](http://www.montigo.com/products.html)

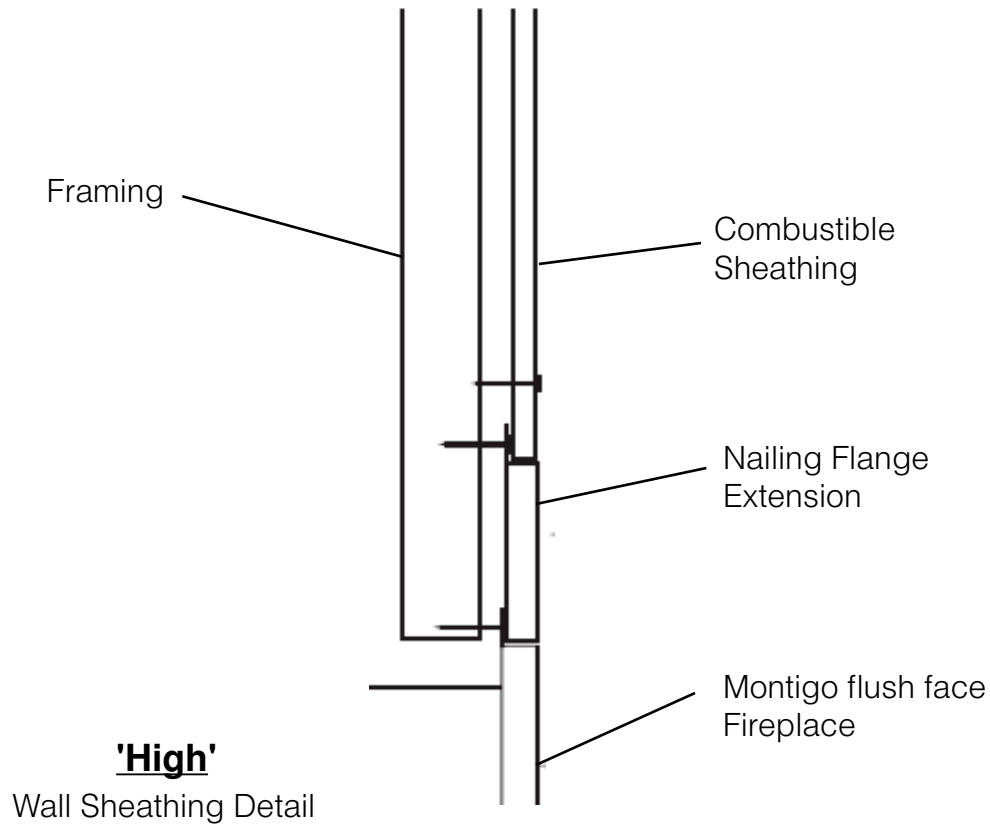
Discontinued Montigo Direct Vent fireplaces: [www.montigo.com/archive.html](http://www.montigo.com/archive.html)

## FACING A MONTIGO FLUSH FACE FIREPLACE:

The flush face Direct vent gas fireplace is intended to be covered with common building materials. As described in the supplied Installation Manual, these materials must be non-combustible when placed close to the fireplace opening.

- The Montigo flush face Direct vent fireplace can be sheathed in one of three styles; **High, Standard, Overlay**. Your choice of style is important because it affects the finished look of your fireplace and the wall in which it is placed.

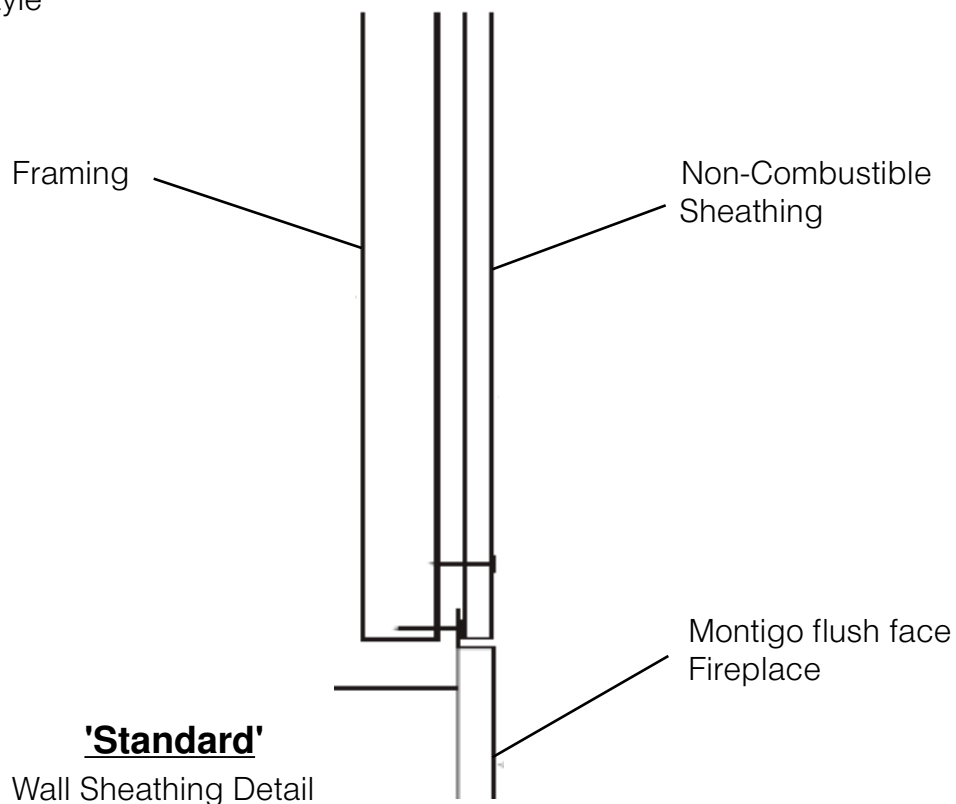
- **High style**



(Exploded Side View - Not to Scale) Figure 1

- With the **High** style of sheathing, the enclosed nailing flange extension **MUST** be used and **COMBUSTIBLE MATERIAL MUST NOT EXTEND BELOW THE NAILING FLANGE EXTENSION**. (See Figure 1). This method, while perfectly acceptable, exposes about ten inches of black metal trim above the glass door. Only part of this trim can be covered by the optional Montigo surround. This is perhaps the least preferred method of sheathing because it exposes the largest surface of black trim.

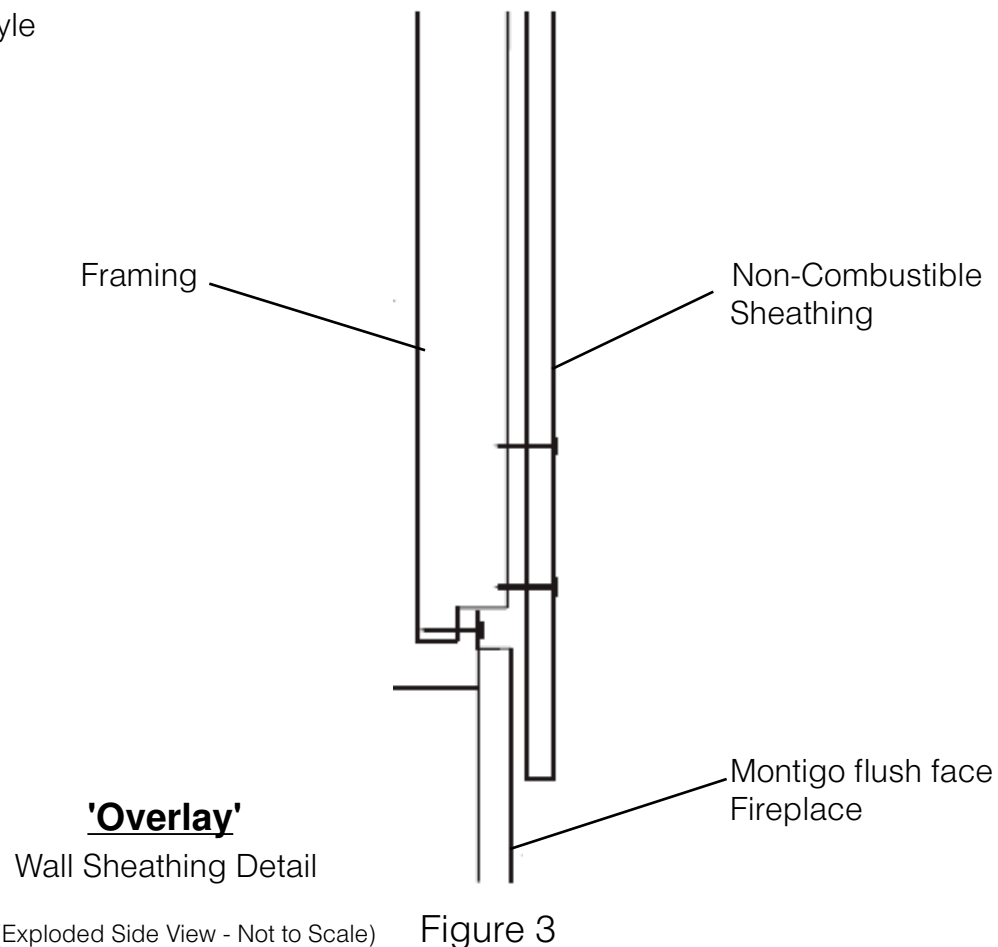
- **Standard** style



(Exploded Side View - Not to Scale) **Figure 2**

- When using the **Standard** style (See Figure 2), the nailing flange extension is omitted and **ONLY NON-COMBUSTIBLE MATERIALS MAY BE BROUGHT TO THE CABINET NAILING FLANGE**. With the **standard** style, all of the black metal fireplace trim can be covered with either of the optional Montigo surrounds.

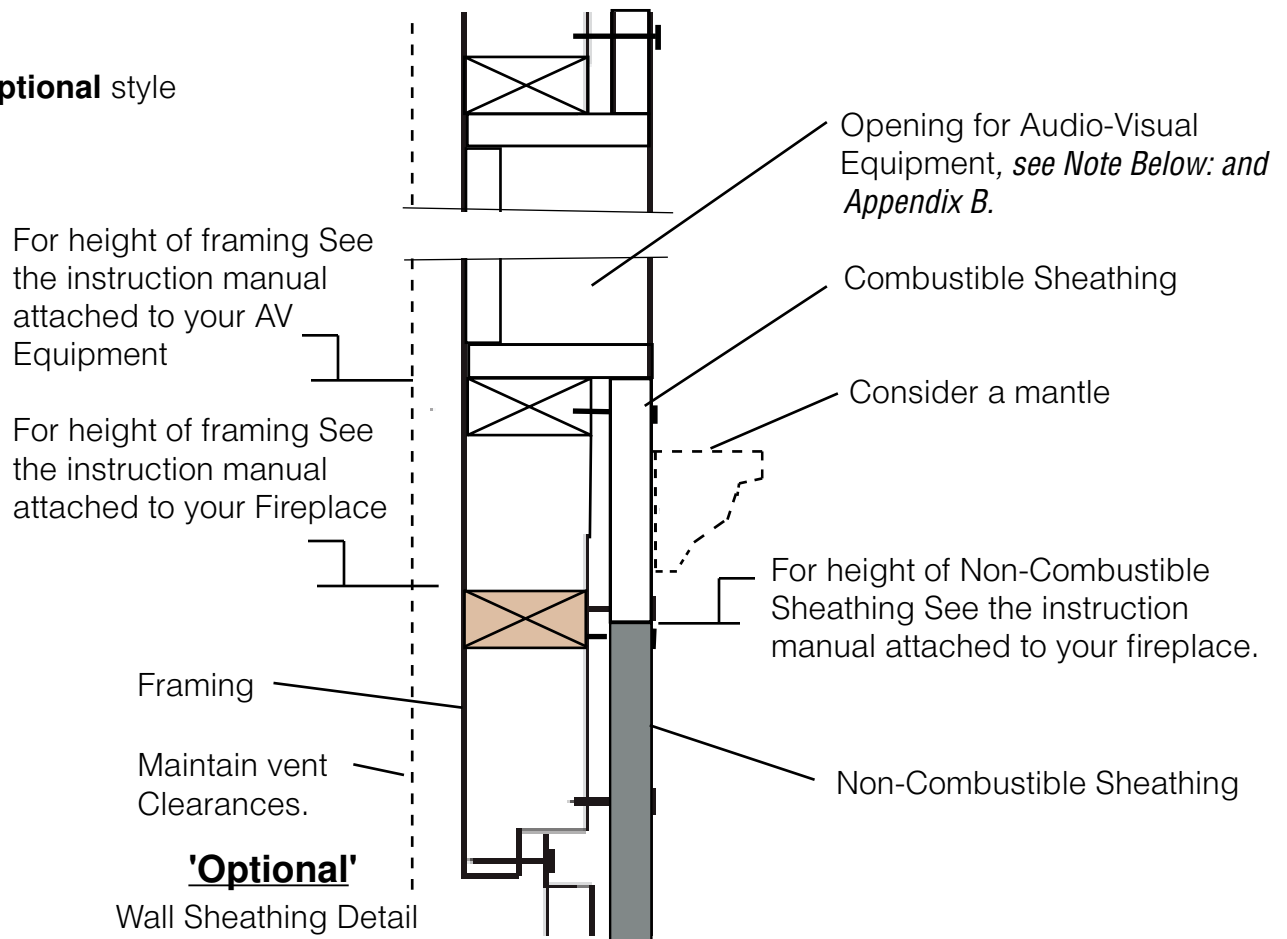
■ **Overlay** style



- The **Overlay** sheathing style (Figure 3). allows you to bring ONLY NON-COMBUSTIBLE MATERIALS all the way down to the top of the fireplace opening. No material of any kind may extend beyond the top of the fireplace opening.

The **Overlay** style requires that you install the fireplace such that the **face is flush** with the framing. See Appendix A for further drawings and details.

■ **Optional** style



(Exploded Side View - Not to Scale) **Figure 4**

- The **Optional** sheathing style (Figure 4). allows the option of framing an opening above the fireplace for Audio-Visual equipment, ie: LCD or Plasma Monitor (Please refer to the mantle section of your instruction guide for specific height placement, including dimensions).

See Page 8 for a description of what construction materials are to be used around and above the Fireplace. Note: No material of any kind may extend beyond the top of the fireplace opening.

**NOTE:**

*When installing any electronic device over a appliance such as a gas fireplace, ensure you read all the documentation that arrived with your electronics. Montigo does not specify or determine what specifications are acceptable by the manufacturer of this equipment. So we advise the consumer to **read THOROUGHLY all the associated literature** packaged with the appliance. Failing to read this documentation could seriously affect the warranty of the said equipment.*

Information to note: See Appendix B



## SUMMARY:

This planning guide must be used in conjunction with the Installation Operation / Maintenance Manual with any Montigo Flush face Direct vent gas fireplace. Together they provide a wealth of information for the typical installation.

- However, if your installation appears to test the limits detailed in these documents, please Contact Canadian Heating Products / Montigo or Montigo DelRay so that we may offer further assistance.

## CANADIAN HEATING PRODUCTS / MONTIGO

27342 Gloucester Way,

Langley, BC

V4W 4A1

web address:

**[www.montigo.com](http://www.montigo.com)**

Montigo web mail:

**[fireplaces@montigo.com](mailto:fireplaces@montigo.com)**

Technical assistance email:

**[technical@montigo.com](mailto:technical@montigo.com)**

Toll free: 1-800-378-3115

## MONTIGO DEL RAY CORP.

6955 Salashan Parkway

Ferndale, WA

98248

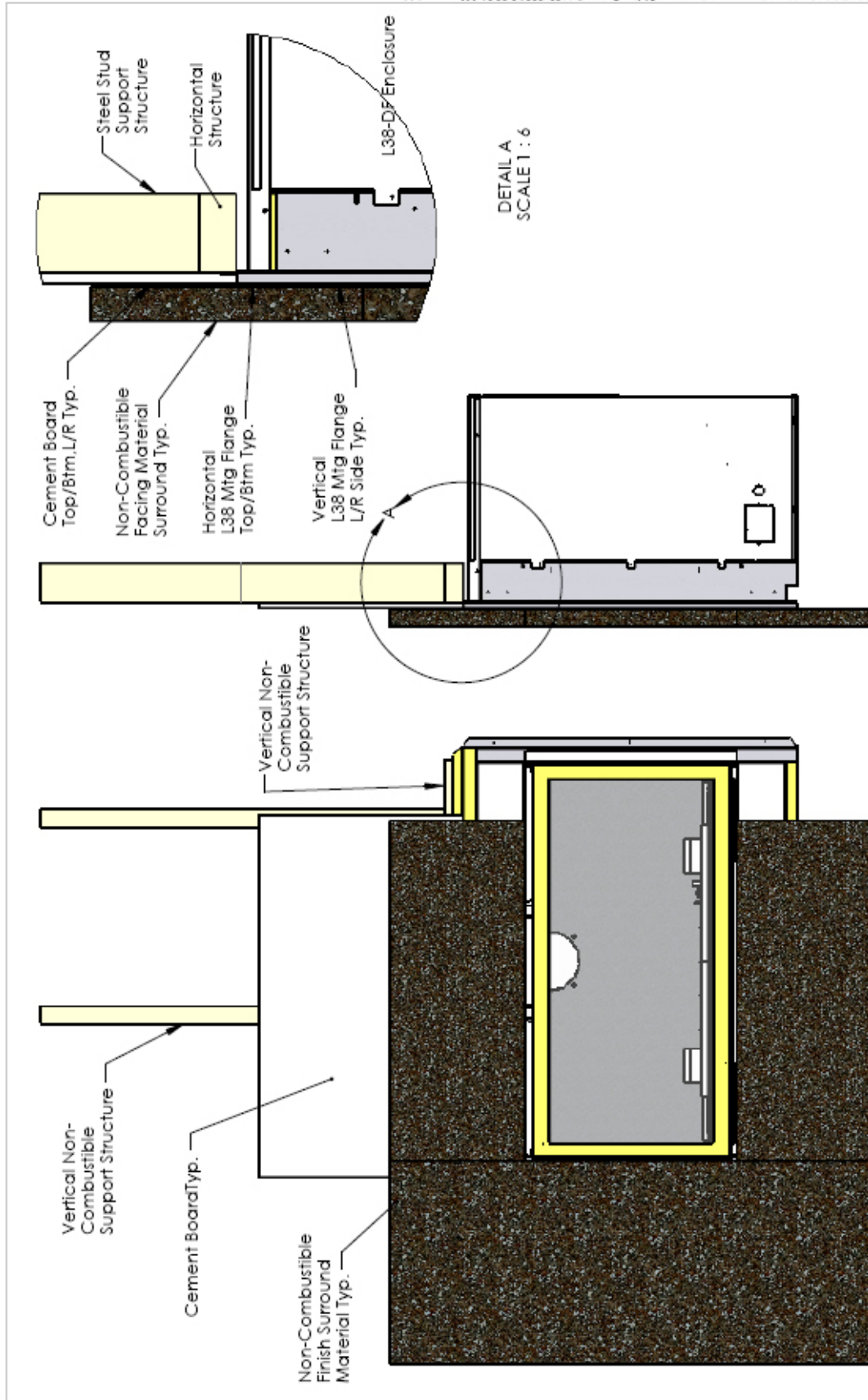
### **Useful Montigo Web Links**

Current Montigo Direct Vent fireplaces: **[www.montigo.com/products.html](http://www.montigo.com/products.html)**

Discontinued Montigo Direct Vent fireplaces: **[www.montigo.com/archive.html](http://www.montigo.com/archive.html)**

Replacement Parts: **[www.montigo.com/accessory\\_manuals.html](http://www.montigo.com/accessory_manuals.html)**

# APPENDIX A



DETAIL A  
SCALE 1 : 6

L38-DF Flange Detail  
Non-Combustible Material Mtg

**Canadian Heating Products**

SEE DWG. NO. L38DF FULL ASSY

REV. A

SCALE 1/24    WIDTH:    SHEET 1 OF 1

DIMENSIONS ARE IN INCHES

TOLERANCES:

FRACTIONAL  $\pm 1/32"$

TWO PLACE DECIMAL  $\pm .015"$

THREE PLACE DECIMAL  $\pm .005"$

ALL BENDS ARE ASSUMED TO BE 90° UNLESS NOTED OTHERWISE.

NAME	DATE
WJK	date

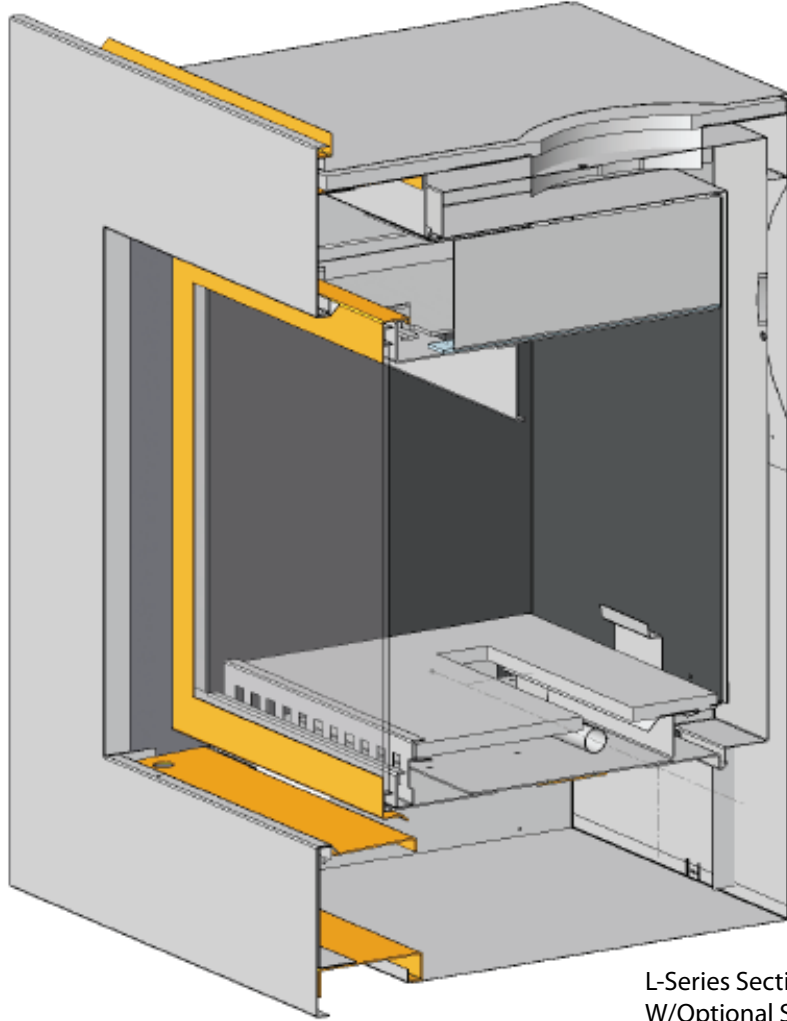
ISSUED	CHECKED	MATERIAL	FINISH

REV.	DESCRIPTION	DATE	APPROVED

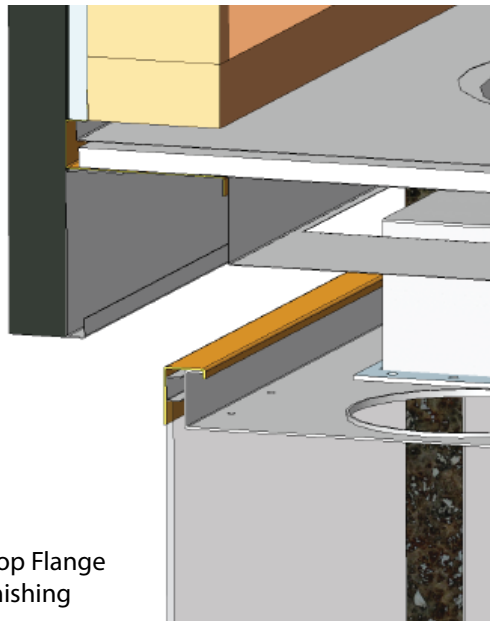
PROPRIETARY AND CONFIDENTIAL

THE INFORMATION CONTAINED IN THIS DRAWING IS THE SOLE PROPERTY OF CANADIAN HEATING PRODUCTS. ANY REPRODUCTION IN PART OR AS A WHOLE WITHOUT THE WRITTEN PERMISSION OF CANADIAN HEATING PRODUCTS IS PROHIBITED.

# APPENDIX A



L-Series Sectional,  
W/Optional Surround



L-Series Top Flange  
Detail, Finishing

**Canadian Heating  
Products**  
 171 (416) 463-  
 7777  
 CANADA

NAME	DATE
WJK	date

ENTIRE DIMENSIONS ARE IN INCHES  
 TOLERANCES:  
 FRACTIONAL ± 1/32"  
 DECIMAL ± 0.005"  
 ALL DIMENSIONS ARE ASSUMED  
 TO BE 90° UNLESS NOTED  
 OTHERWISE.

REV. \_\_\_\_\_ DESCRIPTION \_\_\_\_\_ DATE \_\_\_\_\_ APPROVED \_\_\_\_\_  
 THE INFORMATION CONTAINED IN THIS DRAWING IS THE SOLE PROPERTY OF CANADIAN HEATING PRODUCTS. ANY REPRODUCTION IN PART OR AS A WHOLE WITHOUT THE WRITTEN PERMISSION OF CANADIAN HEATING PRODUCTS IS PROHIBITED.

## APPENDIX B:

### iMPORTANT:

A gas fireplace produces a considerable amount of heat, and variables due to a mantle size and height (if any), size of the fireplace (Dimensions and BTU's) will determine how the heat radiates and dissipates once it leaves the fireplace. Read all the documents, and particularly the Specifications and location/mounting requirements before framing an opening above the fireplace. Montigo will not be held responsible for the damage to a sensitive device such as a LCD or Plasma Monitor due to failure of the consumer not reading, or comprehending the attached literature with the above appliance.

### NOTES:



XG1500 - 071508

---

**Canadian Heating Products Inc.**  
Surrey, BC V3W 2V6

**Montigo Del Ray Corp.**  
Ferndale, WA 98248