



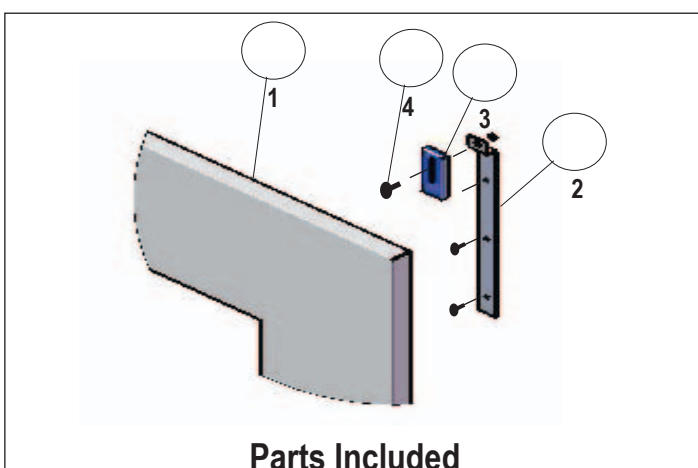
Installing the L38, L42 & L52 Surround

for use with:

L-Series; L38-DF/ST

L-Series; L42-DF/ST

L-Series; L52-DF/ST



1)	1-Pc, Surround
2)	2-Pcs, Attachment Brackets
3)	2-Pcs, Moving Brackets
4)	1-Pkg. Hardware

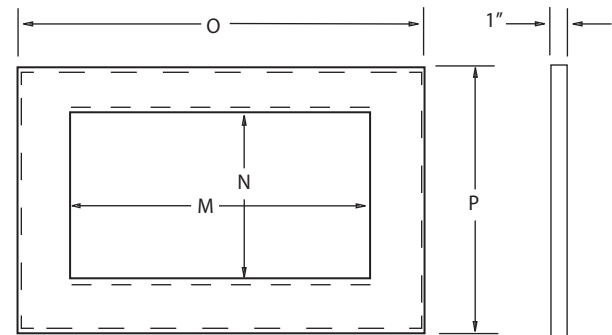


Figure 1. Surround Dimensions

Surround Dimensions (in inches)				
Model	M	N	O	P
L38 DF/ST	35	17 7/8	49 1/2	32 3/8
L42 DF/ST	39	18 3/4	54 1/4	34
L52 DF/ST	46 3/4	20 1/2	64 3/4	38 1/2

Tools Required

1)	Power Drill, (six 1/8" holes)
2)	#8 Hexhead Driver, (to match hardware)
3)	Carpenters level (Final Step, if required)

Installing the Surround

To install the Montigo Stainless steel or Black contemporary surround onto the L-Series unit, follow these few simple steps.

Step 1. Mark the location of the holes needed.

From the package of hardware locate one of the Attachment Brackets. Hold this part in place as shown in Figure 2. With a pencil or pen mark the (6) six holes on the face of the fireplace frame, (see Figure 2.) Note: Ensure the brackets align with Figure 2. Below.

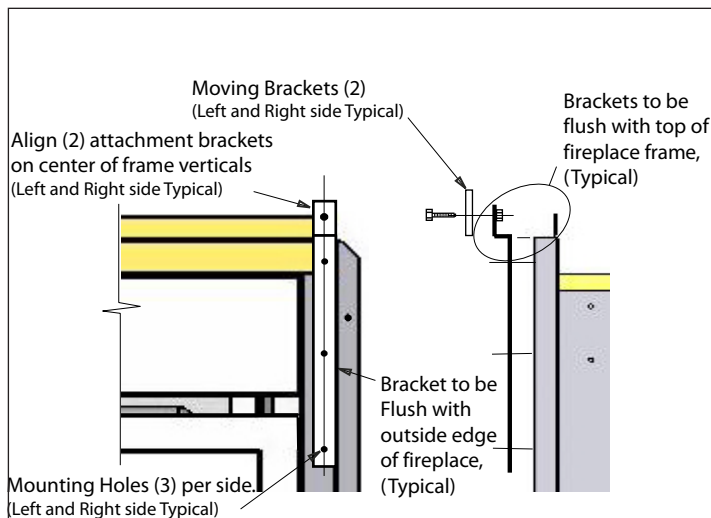


Figure 2. Bracket Alignment

Step 2. Drill holes.

Before you go any farther now is the time to double check the location of the holes, do they agree with Figure 2. If you are satisfied with the location of the holes, use a punch to mark the holes, then using a 1/8" drill, drill out the six holes.

Step 3. Install the (2) two Attachment Brackets. (See Figure 2)

Now it's time to install the two (2) Attachment Brackets you used as a guide. Have someone hold one of the Brackets in place, using the Hex-tool, place a self-tapping #8-18 sheet metal hex screw into the hole and twist it into the hole half way.

Follow this procedure for the remaining two (2) screws in the first bracket. After the three (3) screws are in place tighten them in place. Repeat the procedure in **Step 3** for the second Attachment Bracket.

Step 4. Install the (2) two Movable Brackets. (If installed disregard this step. If not See Figure 3)

Now it's time to install the two (2) Movable Brackets. (These move up or down to level and align the surround. This will produce a symmetrical reveal when correctly adjusted).

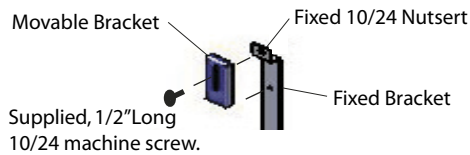


Figure 3. *Installing the Movable Brackets*

Pick up one of the brackets, using the supplied hardware, mount it into place. Slide the bolt through the bracket 'front to back', (See Figure 3), then tighten the bolt using an open end wrench or socket.

Follow this procedure for the remaining bolt in the second Movable Bracket.

Step 5. Placing the Surround

Finally it's time to install the Stainless steel or Black Surround. For this step it would be helpful to have someone help you hold the surround in place.

Lift the surround over the two (2) Movable Brackets and swing the surround downward. If the surround doesn't clear the top or bottom of the fireplace you will have to adjust the movable brackets up or down. Remove the surround place it aside. Adjust the bracket as required. Repeat as necessary.

Step 6. Final adjusting of the Surround

This step is not necessary if the surround fits tightly around the fireplace, or the adjustment is acceptable. But, if your surround has an uneven reveal, or unequal gap around/between the fireplace and surround, using a carpenters level adjust the Movable brackets as needed.

Finally place the adjusted Surround back on the Brackets and admire your Contemporary Montigo fireplace.