



www.montigo.com

Installation Operation & Maintenance Manual
Check local codes and read all instructions prior to installation.

LDVPV Linear Power Vent System

LDVPV47



Warning:

Improper installation, adjustment, alteration, service or maintenance can cause injury or property damage. Refer to this manual. For assistance or additional information consult a qualified installer, service agency or the gas supplier.

Safety Notice:

Glass doors on gas fireplaces are extremely hot while the fireplace is on and remain hot even after the fireplace has been turned off. Safety screens are available and can reduce the risks of severe burns.

For Your Safety:

Do not store or use gasoline or other flammable vapors and liquids in the vicinity of this or any other appliance.

Warning:

What to do if you smell gas

- *Do not try to light any appliance.*
- *Do not touch any electrical switch; do not use any phone in your building.*
- *Immediately call your gas supplier from a neighbor's phone. Follow the gas supplier's instructions.*
- *If you cannot reach your gas supplier, call the fire department.*



- *Installer: Leave this manual with the appliance.*
- *Consumer: Leave this manual for future reference.*

 **Warning:**

Read this manual before installing, operating or troubleshooting this appliance. Please retain this owner's manual for future reference.

Congratulations

Congratulations on selecting a FireFeature Custom gas fireplace, an elegant and well designed gas fireplace built to your specifications. The Firefeature gas fireplace you have selected is designed to provide the utmost in safety, reliability, and engineering standards.

As the owner of this new fireplace, you'll want to read and carefully follow all the instructions contained in this Installation, Operations and Maintenance manual. Pay special attention to all cautions, warnings, and Important warnings.

This owner's manual should be retained for future reference. We suggest that you keep it with all your other important documents and product manuals.

The information contained in this owner's manual, unless noted otherwise, applies to all models, and gas control systems.

Your new FireFeature Custom gas fireplace will give you years of durable, reliable use. Welcome to the FireFeature family of gas fireplace products.

 **Safety Alert Key:**

- **DANGER!** Indicates a hazardous situation which, if not avoided will result in death or serious injury.
- **WARNING!** Indicates a hazardous situation which, if not avoided could result in death or serious injury.
- **CAUTION!** Indicates a hazardous situation which, if not avoided, could result in minor or moderate injury.
- **NOTICE:** Used to address practices not related to personal injury.
- **Important:** Used to address practices not related to personal injury.

Table Of Contents

Congratulations

Safety Alert Key

Introduction	3
Installation	
Installation of Pipe Reducer	4
Power Vent Installation Schematics	5
Installing the Linear Power Vent.....	6 - 7
Mounting Power Vent for specific applications.....	8
Wiring Instructions.....	8
Termination Locations.....	9
Appendix	10
Appendix I (Amendment, Vertical clearances)	10
Appendix II (Available Adapters)	10
Parts	10
Warranty	12
Notes:	13

Important:

All dimensions, and design specifications are subject to approval upon quotation of fireplace and associated equipment.



Introduction

CAUTION!

Due to its high operating temperatures, the appliance should be located in a well ventilated area / space. See the clearances specifications on Page 8.

- Children and adults should be alerted to the hazards of the high surface temperature, which could cause burns or clothing ignition.
- Young children should be carefully supervised when they are in the same room as the appliance.
- Clothing or other flammable materials should not be placed on or near the appliance.

Selecting and Installing the Fireplace

The Linear Power Vent System must only be used with a Montigo Direct Vent Fireplace. When selecting a gas fireplace for use with the Linear Power Vent System, take into consideration the various requirements and limitations in the **venting installation section** of the Model's manual:

Models Must Be Equipped with Electronic Ignition

(HSI/AF)

Only models equipped with an electronic ignition system may be installed with the Linear Power Vent System. The absence of a pilot in this system, allows for greater flexibility on venting requirements. For example downward vertical vent runs are possible with an HSI/AF system, as outlined in the **Venting Section**.

All fireplaces with 5"/8" venting must be reduced to 4"/7" venting in order to be used with the Linear Power Vent System.

General Information

This installation guide covers installation of the Linear Power Vent System only. This system is designed to allow installation of gas fireplaces that cannot be done with a standard Direct Vent gas fireplace installation.

Specifications and instructions pertaining to your chosen fireplace must be followed. Please read this Installation Operation and Maintenance Instructions carefully before operating this equipment.

Standard Series (4"/7" dia.) Termination System:

LDVPV47 - Linear Power Vent System

Pre/Post Purge Control Box

RHSIT05 -Control module, provides pre/post purge.

Power Cord Harnesses:

LPVH10 -10 foot power cord and harness

LPVH20 -20 foot power cord and harness

LPVH30 -30 foot power cord and harness

LPVH40 -40 foot power cord and harness

LPVH50 -50 foot power cord and harness

LPVH60 -60 foot power cord and harness

LPVH70 -70 foot power cord and harness

LPVH80 -80 foot power cord and harness

Before You Begin

- Minimum clearances of 1" from vent to all combustable materials must be maintained.
- The LDVPV must only be installed with Montigo venting components. The LDVPV may be used with any of the available Montigo terminations.
- **In order to maintain the power vent system integrity all 4" and 7" venting connections must be fastened with three self tapping screws.**
- Installation of the LDVPV must comply with this manual, and be completed by a qualified professional.
- Plan the layout of the installation's venting run before starting the installation.
- The MAXIMUM total allowable length; Refer to Linear Power Vent Installation Section, P4-6.
- Downward venting is allowable. Please refer to Page 5 for a table and illustrations regarding the limitations of this type of installation.
- Minimum length of straight pipe between the Fireplace and the Power Vent is: 2 feet
- Access /Service Panel, must maintain 1" clearance. If 1" clearance is not possible Minimum 30% free air must be supplied.
- **Disconnect the power supply when installing and/or servicing the fireplace or the power vent system.**



CAUTION:

Ensure Perforated Air Holes in the New Pipe Adapter / Restrictor are not Covered when installing New Pipe Connection.



CAUTION:

When cold air enters the warmer building interior, primarily at the air intake end, condensation may occur on the exterior of the flex pipe. To limit this condensation, install insulation over the last twenty feet of flex pipe. Also, by sloping the last 20'-0" feet of flex pipe downward toward the exterior of the building, elimination of most of the condensation problems should occur. Ensure the termination is securely fastened, and sealed to the flex pipe. Fasten the termination to exterior of the building with water tight sealant and the appropriate fasteners.

Installation of Pipe Adapter

The Installation of the LDV Air Circulator Pipe Adapter on your fireplace: Model No's. H34DF / H34DL.

1. Remove the Existing factory installed 4" flue adapter.
2. Replace with the Model No. LDVAC34 as shown below.

Installation



Installation of Pipe Reducer

The Installation of the LDV Air Circulator Pipe Reducer on your fireplace:
Model No's. **that use 4" / 7" Vent**

1. Install the Pipe Reducer as shown below.

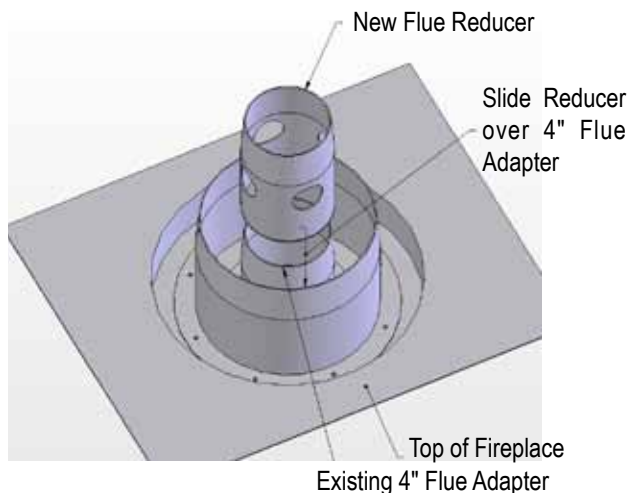


Figure 1b. Installation of 4" / 7" Flue Reducer.
Part Number LVA47

Note: See Appendix II: The table will ensure a appropriate flue adapter is designed for your Montigo gas fireplaces.



CAUTION:

Ensure Perforated Air Holes in the New Pipe Adapter / Restrictor are not Covered when installing New Pipe Connection.

Installation of Pipe Reducer

The Installation of the LDV Air Circulator Pipe Reducer on your fireplace:
Model No's. **that use 5" / 8" Vent**

1. Install the Pipe Reducer as shown below.

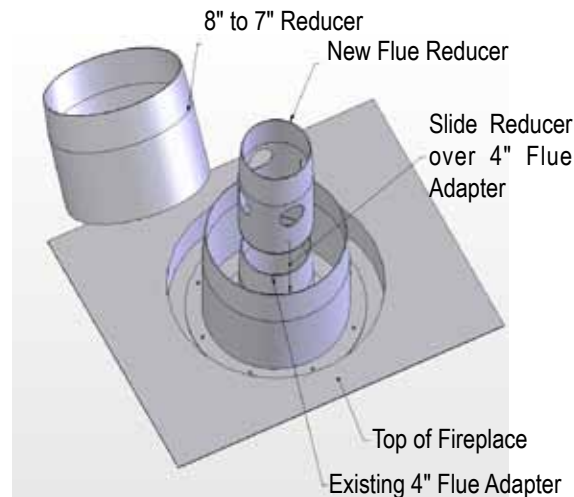


Figure 1b. Installation of 5"/8" Flue Reducer.
Part Number LVA5487

Note: See Appendix II: The table will ensure a appropriate flue adapter is designed for your Montigo gas fireplaces.

Venting Installation

The Internal Power Vent must be installed with a gas fireplace equipped with an electronic ignition system. When installing the venting, the installation must adhere to the **Venting Installation Section** in the fireplace's Installation Operation and Maintenance Instructions, as well as the following guidelines:

- Ensure that the planned termination location is acceptable as shown in *Appendix A*.
- Minimum of 2 feet of straight pipe before the power vent.

Installation

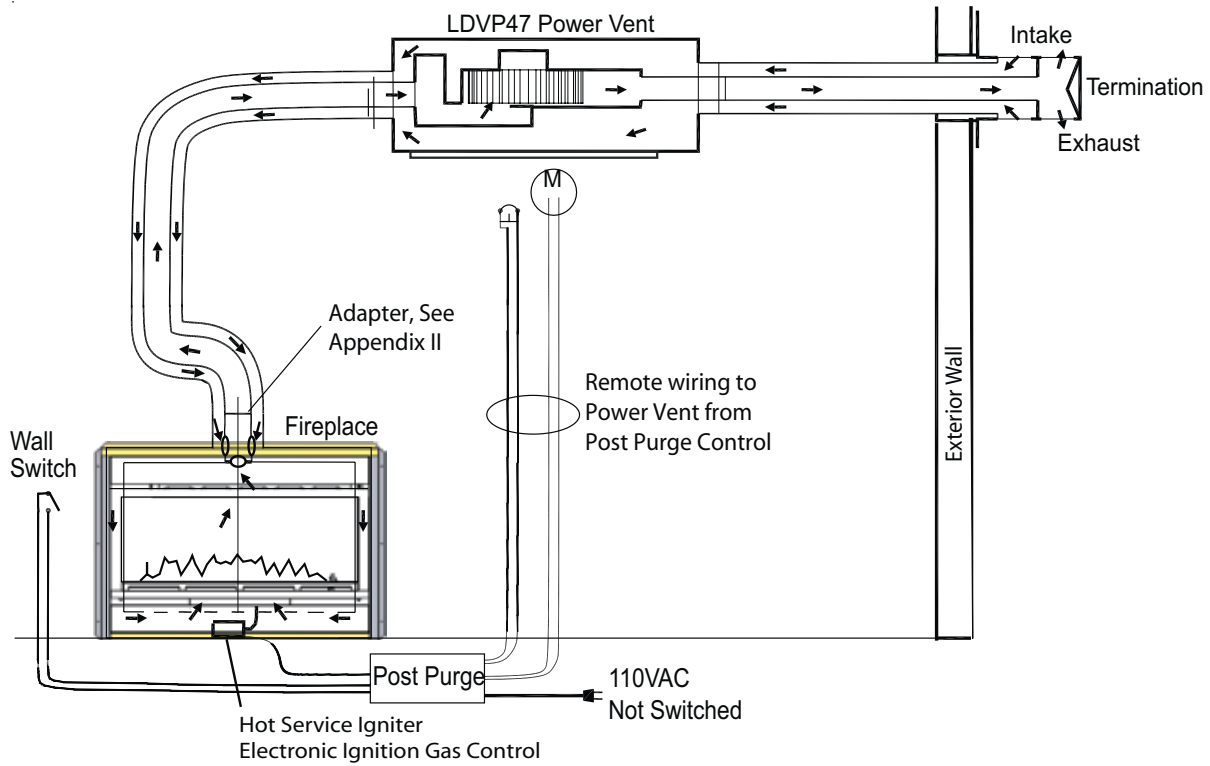


Figure 2. Schematic for the Linear Power Venter

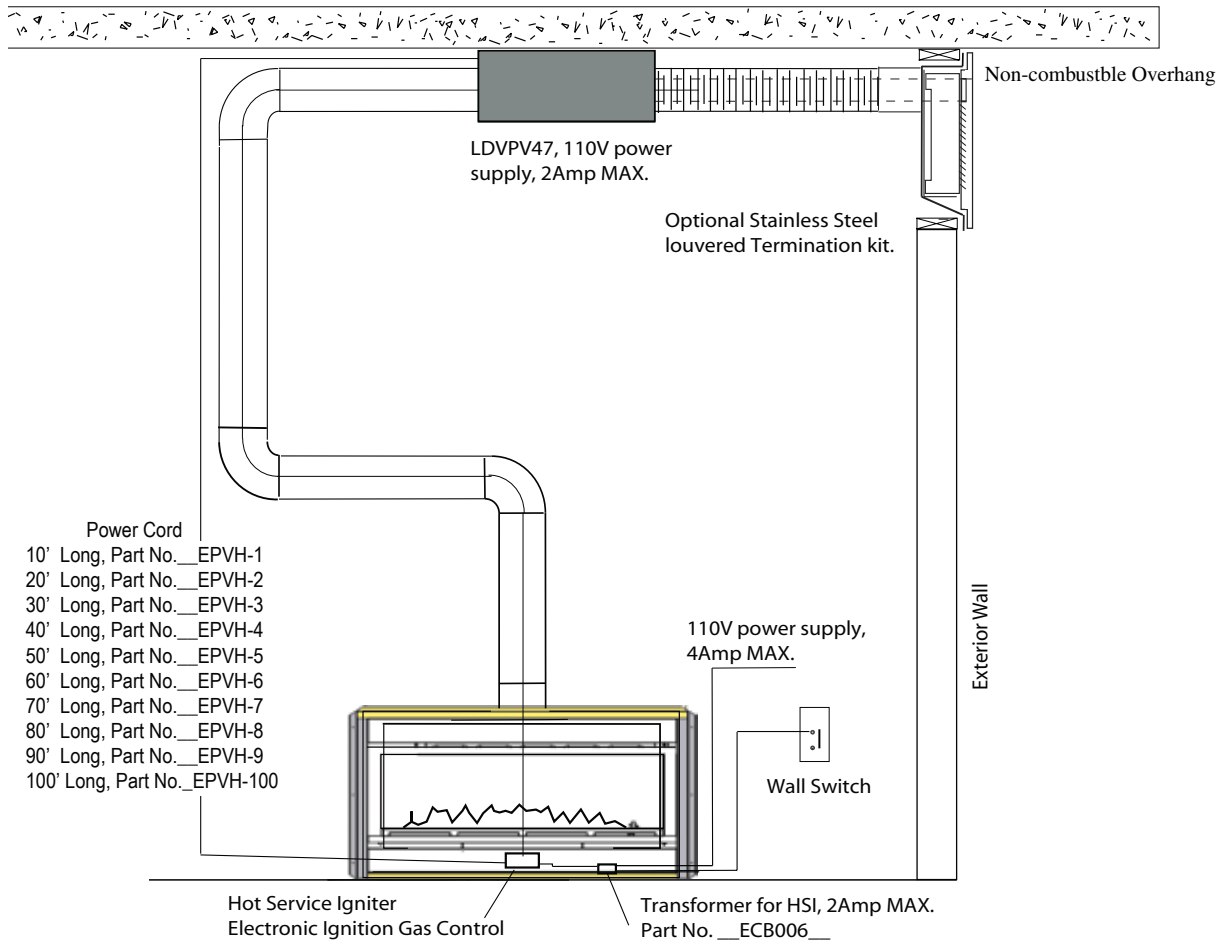


Figure 2a. Flush vent Option for the Linear Power Venter



Installation



WARNING:

Montigo will not be held responsible for any water damage that may occur from not installing the equipment as specified by this document.

Linear Power Vent - Horizontal Vent

Multi-elbow installations are possible up to a maximum one-hundred feet (100'-0"), with three (3) 90° elbows. Minimum vent run from Fireplace to Power Vent must be two feet, (2'-0"). Maximum allowable vent run must be reduced by Ten feet (10'-0") for every 90° elbow added. With a snorkel Termination, reduce the total vent run by an additional twenty feet (20'-0"). Figure's 3a and 3b.

Example A. Vertical Mounting with horizontal Vent Run

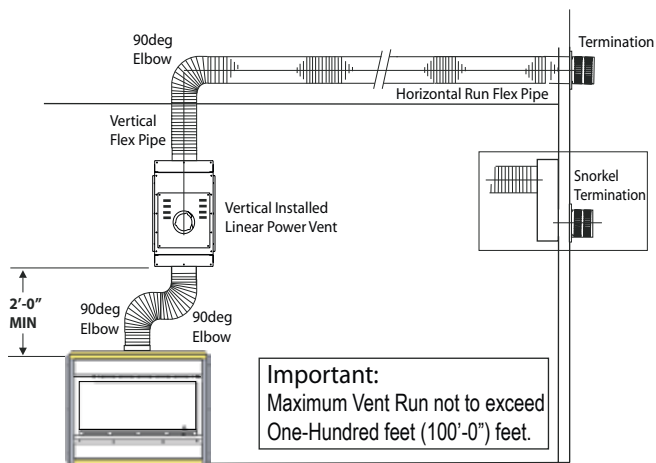


Figure 3a. Vertical Mounting for the Linear Power Venter

Example B. Horizontal Mounting with horizontal Vent Run

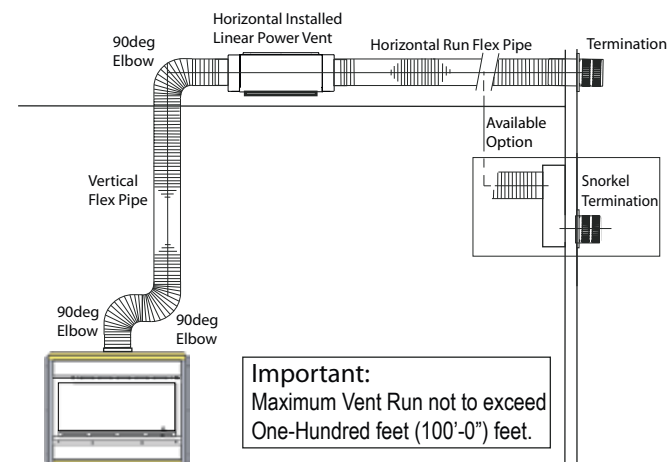


Figure 3b. Horizontal Vent for the Linear Power Venter Termination Snorkel

Linear Power Vent - Vertical Vent

Multi-elbow installations are possible up to a maximum one-hundred thirty feet (130'-0"), with three (3) 90° elbows. Minimum vent run from Fireplace to Power Vent must be two feet, (2'-0"). Maximum allowable vent run must be reduced by Ten feet (10'-0") for every 90° elbow added. Figure's 4a and 4b.

Example A. Vertical Mounting with Vertical Vent Run

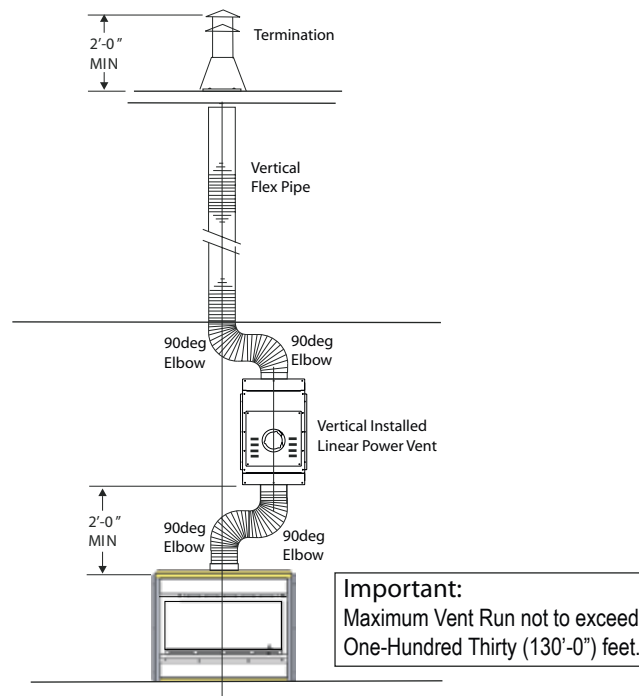


Figure 4a. Vertical Vent for the Linear Power Venter

Example B. Vertical Mounting with Vertical Vent Run

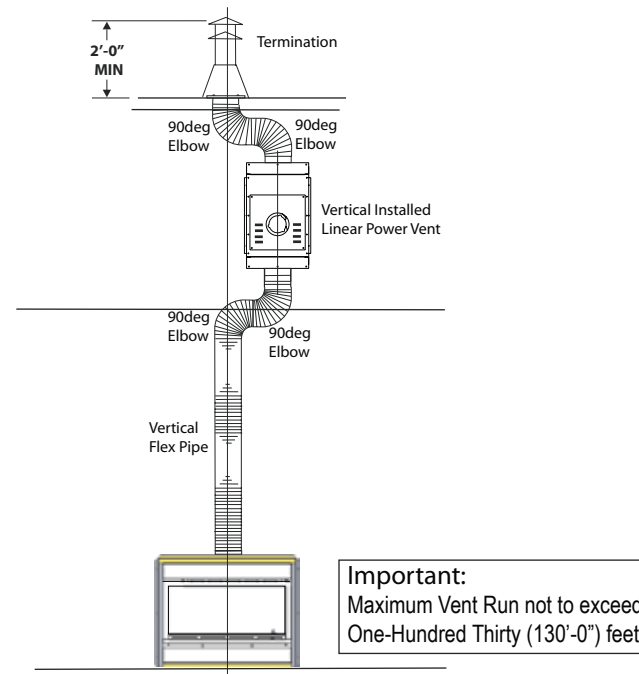
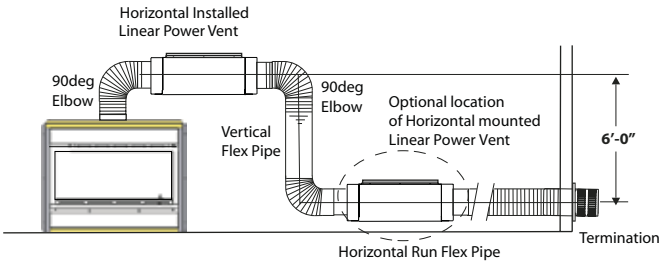


Figure 4b. Vertical Linear Power Vent with Vertical Vent Run.

Installation

Linear Power Vent - Horizontal / Downward Vent

Multi-elbow installations are possible up to a maximum eighty feet (80'-0"), with three (3) 90° elbows. Minimum vent run from Fireplace to Power Vent must be two feet, (2'-0"). Maximum allowable vent run must be reduced by Ten feet (10'-0") for every 90° elbow added. Deduct ten feet (10'-0") of vent length for every one foot (1'-0") of vent run traveling in a downward direction.



Important:
Maximum Vent Run not to exceed Eighty feet (80'-0") feet.

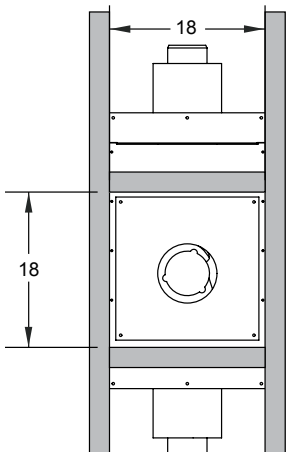
Figure 5a. Horizontal Linear Power Vent with Horizontal Vent Run. (Optional installation location shown).

Selecting A Termination Location

Please consult Appendix I, to ensure that the location of the vent run termination is within the guidelines.

Installing the Linear Power Vent

1. The linear power vent can be installed to existing stud construction or directly to cement wall or roof. The LDVPV must maintain 1" clearances to combustibles. The required service access panel must be framed at 18" X 18". To enclose the service access panel, (at less than 1") a minimum 30% free air must be supplied at all times.
2. Plug the power chord into the available slot in the linear power vent.
3. Secure all venting joints with at least three self-tapping screws.



Note:
The required service access panel must be framed at 18" X 18". To enclose the service access panel, (at less than 1") a minimum 30% free air must be supplied at all times.

Figure 4. LDVPV47 Linear Power Vent framing dimensions.

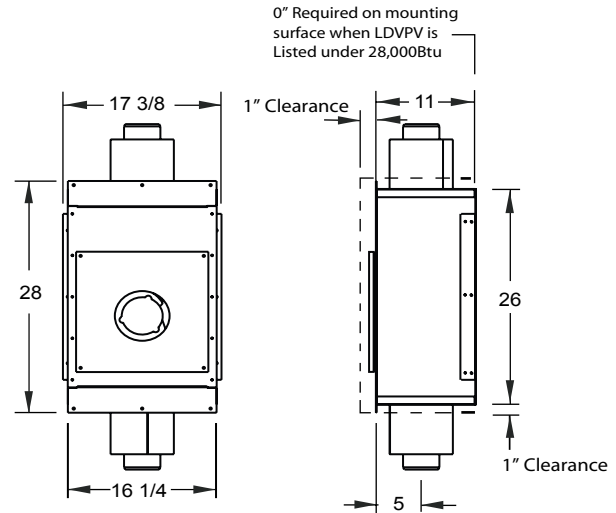


Figure 5. LDVPV47 Linear Power Vent overall dimensions.

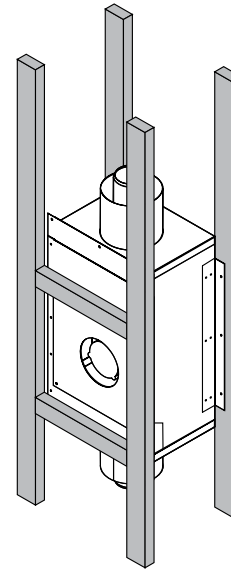
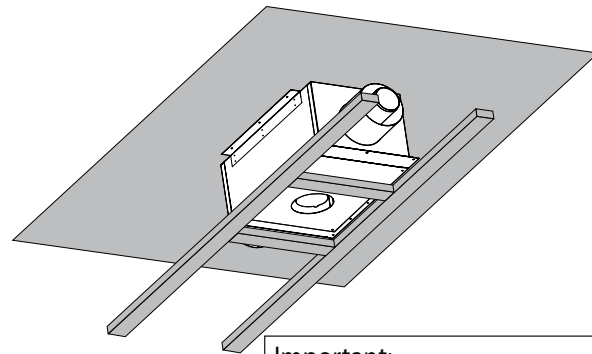


Figure 6a. LDVPV47 Linear Power Vent Framing in steel studs.



Important:
0" Clearance is required on mounting surface if LDVPV is Listed under 28,000Btu. If over 28,000Btu 1" must be maintained or 30% free air space surrounding LDVPV.

Figure 6b. LDVPV47 Linear Power Vent Framing to cement roof.



Installation

Mounting of Linear Power Vent for specific Model Fireplaces

L52-DF, and L52-DF-ST Gas fireplace models.

4'-0" Clearance / void must be maintained at both ends of Power vent unit, thru to exterior termination. This clearance does not include wire conduit, pipe or other necessary building component. It does however include fibre insulation, and/or other heat retaining materials.

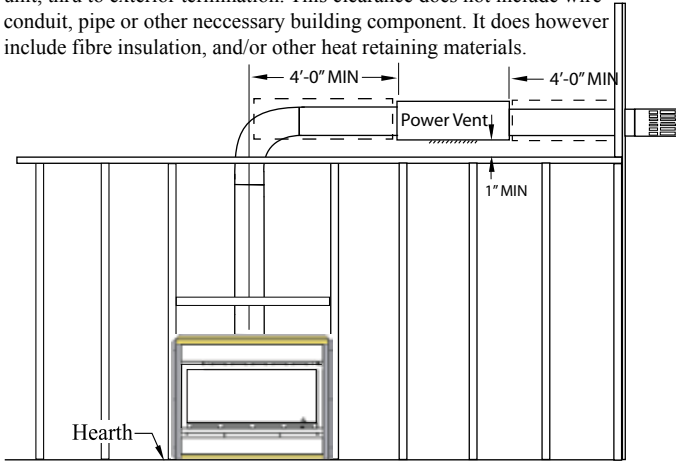


Figure 7. L52-DF and L52-DF-ST vent clearances.

Wiring Installation

Connect the wiring to the linear power vent as outlined in the previous section, and connect the wiring to the fireplace as outlined in the schematic below. Ensure that the proper clearances are maintained for the wiring and conduit.

- When installing the wiring it must never run above the vent run and it must be at least 1" clear of all venting.

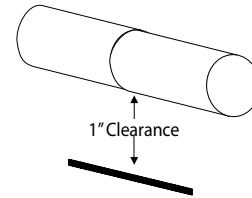


Figure 8a. Conduit and Wiring Clearances.

Wiring Installation

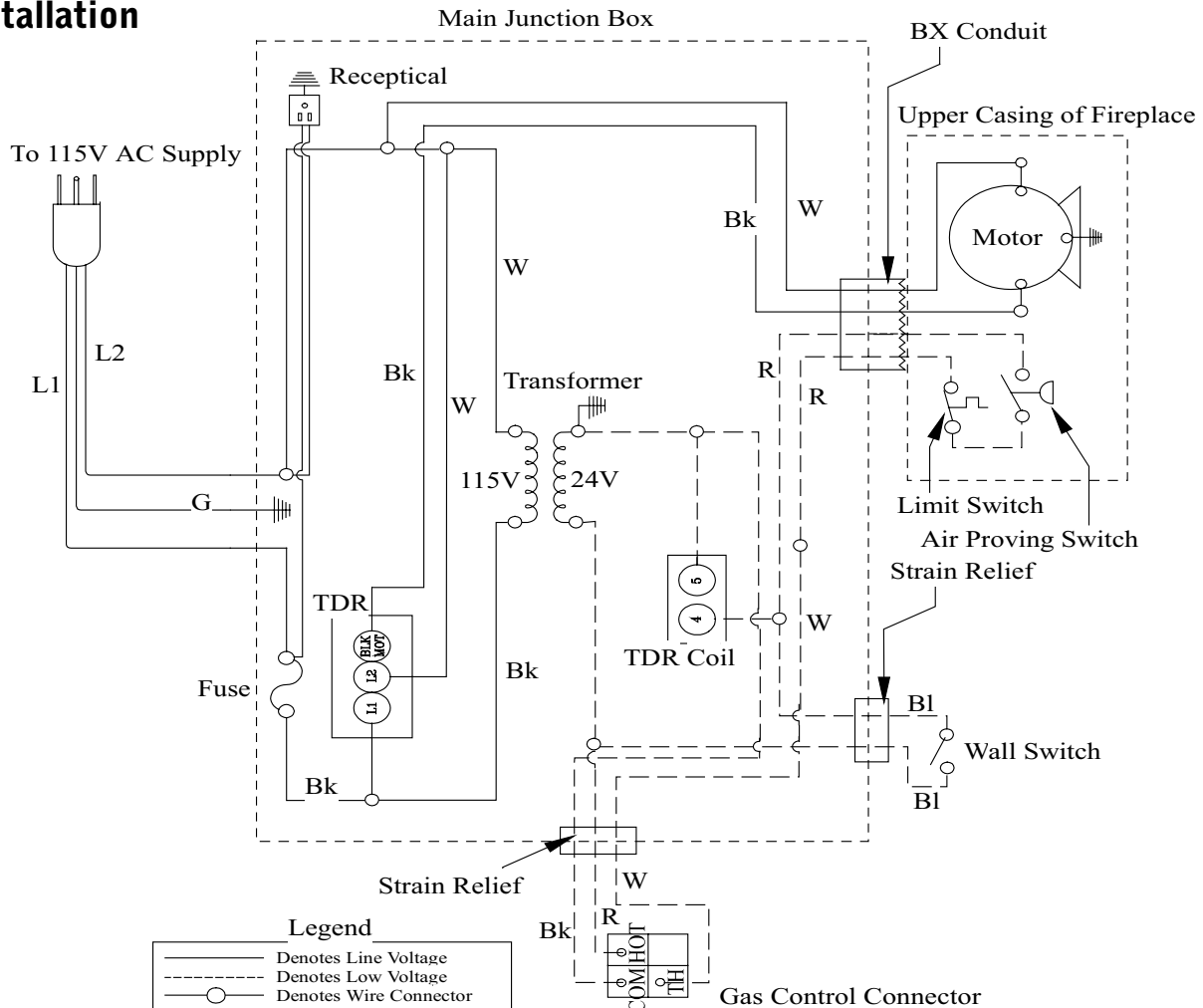
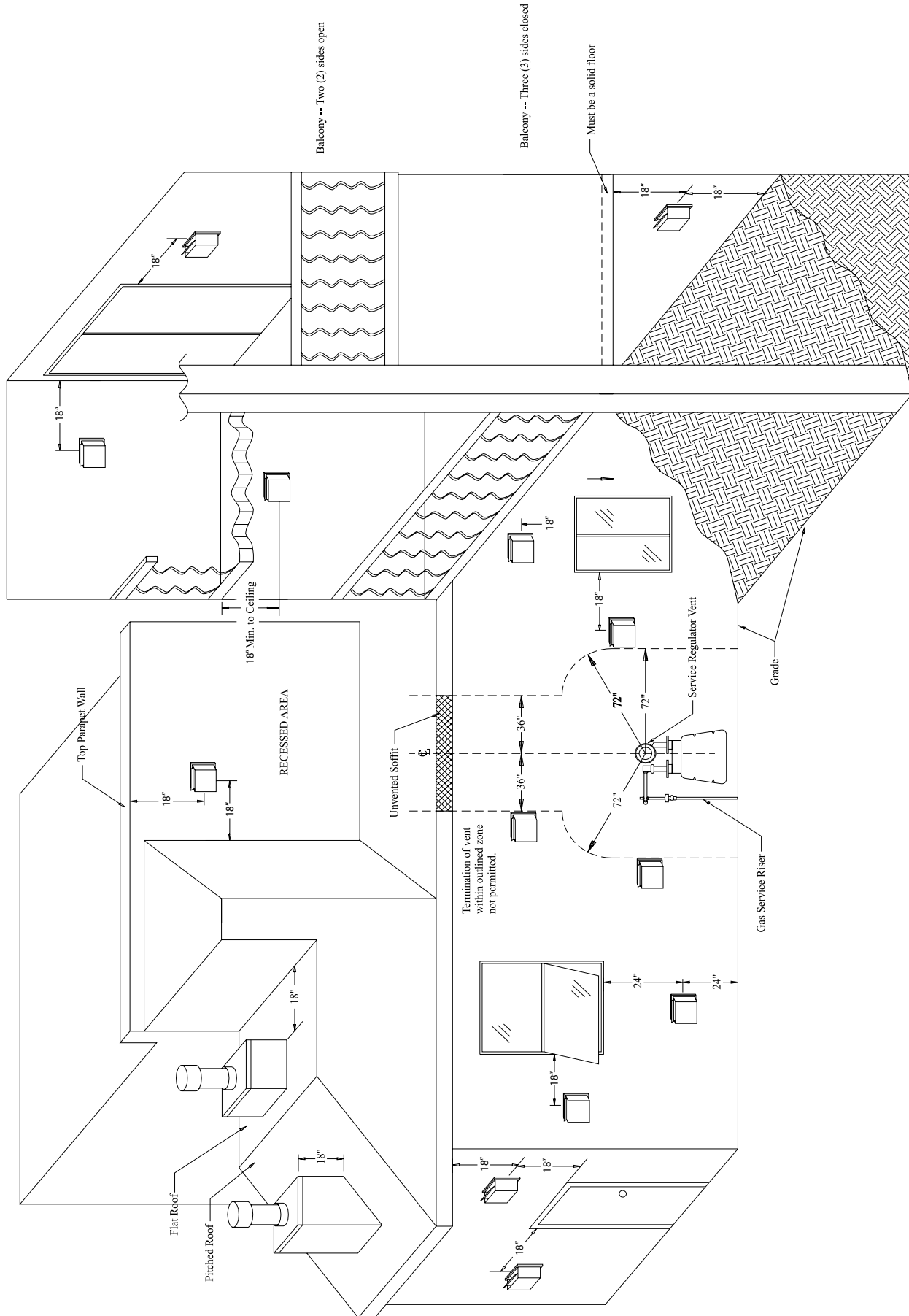


Figure 8. Wiring schematic for the Post Purge Control Module.

Termination Clearances



Appendix

Appendix I

Appendix II

Available Fireplace Adaptors

Part Number	Available Fireplace Models
LVA47	H34-Series,
LVA5487	H38, H42-Series, M40-Series, L38, L42
LVA52-2H	L52DF,
LVA52-ST	L52DF-ST,

Note: Please ensure you order the correct flue adaptor for your Montigo gas fireplaces.

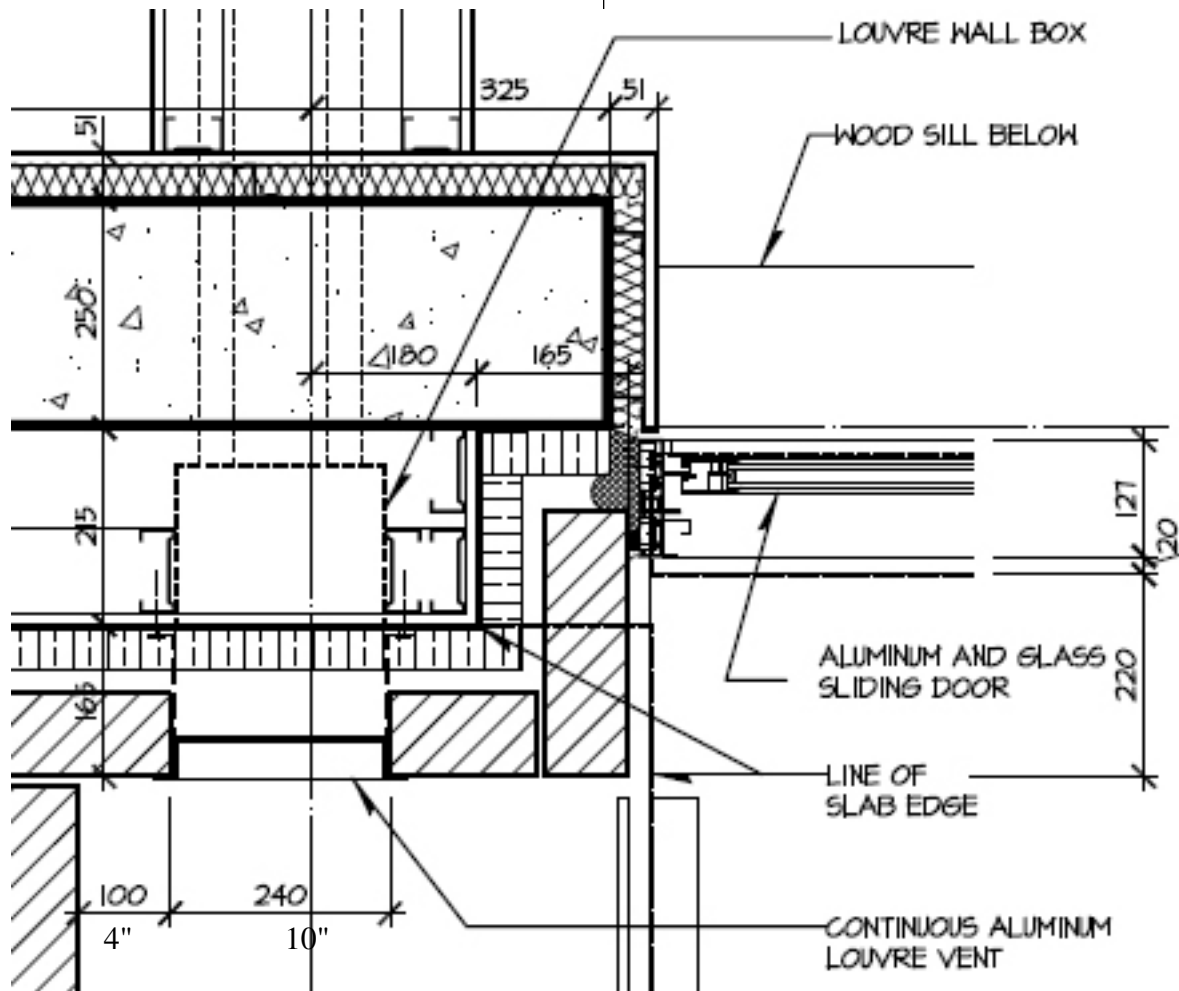


Figure 9. Amendment (vertical clearance (4") with nothing above termination.

Warranty

The Warranty

The Companies warrants the Montigo Gas Appliance to be free from defects in materials and workmanship at the time of manufacture. On the Montigo, there is a ten-year warranty on the firebox and its components, a five-year warranty on the main burner, and a one-year warranty on the pilot burner, gas control valve and fibre logs. Glass, plated/painted finishes, and refractory lining are exempt.

Remedy And Exclusions

The coverage of this Warranty is limited to all components of the Gas Appliance manufactured by The Companies.

This Warranty only covers Montigo Gas Appliances installed in the United States or Canada.

If the components of the Gas Appliance covered by this Warranty are found to be defective within the time frame stated (see The Companies right of investigation outlined below). The Companies will, at its option, replace or repair defective components of the Gas Appliance manufactured by The Companies at no charge, and will also pay for reasonable labour costs incurred in replacing or repairing components. If repair or replacement is not commercially practical, The Companies will, at its option, refund the purchase price of the Montigo Gas Appliance.

This Warranty covers only parts and labour as provided above. In no case shall The Companies be responsible for materials, components, or construction which are not manufactured or supplied by The Companies, or for the labour necessary to install, repair or remove such materials, components or construction. All replacement or repair components will be shipped F.O.B. the nearest The Companies factory.

Qualifications To The Warranty

The Gas Appliance Warranty outlined above is further subject to the following qualifications:

- (1) The Gas Appliance must be installed in accordance with The Companies installation instructions and local building codes. The Warranty on this Montigo Gas Appliance covers only the component parts manufactured by The Companies. The use of components manufactured by others with this Montigo Gas Appliance could create serious safety hazards, may result in the denial of certification by recognized national safety agencies, and could be in violation of local building codes. This warranty does not cover any damages occurring from the use of any components not manufactured or supplied by The Companies
- (2) The Montigo Gas Appliance must be subjected to normal use. The Gas Appliances are designed to burn gas only. Burning conventional fireplace fuels such as wood, coal or any other solid fuel will cause damage to the Gas Appliance, will produce excessive temperatures and will result in a fire hazard.

Limitations On Liability

It is expressly agreed and understood that The Companies sole obligation, and purchaser's exclusive remedy under this Warranty, under any other warranty, expressed or implied, or in contract, tort or otherwise, shall be limited to replacement, repair, or refund, as specified above.

In no event shall The Companies be responsible for any incidental or consequential damages caused by defects in its products, whether such damage occurs or is discovered before or after replacement or repair, and whether or not such damage is caused by The Companies negligence. Some states do not allow the exclusion or limitation of incidental or consequential damages, so the above limitation or exclusion may not apply to you. The duration of any implied warranty with respect to this Montigo Gas Appliance is limited to the duration of the foregoing warranty. Some states do not allow limitation on how long an implied warranty lasts, so the above may not apply to you.

Investigation Of Claims Against Warranty

The Companies reserves the right to investigate any and all claims against this Warranty and to decide upon method of settlement.

The Companies Are Not Responsible For Work Done Without Written Consent

The Companies shall in no event be responsible for any warranty work done without first obtaining The Companies written consent.

Dealers Have No Authority To Alter This Warranty

The Companies employees and dealers have no authority to make any warranties nor to authorize any remedies in addition to or inconsistent with those stated above.

How To Register A Claim Against Warranty

In order for any claim under this Warranty to be valid, The Companies must be notified of the claimed defect in writing or by telephone, as soon as reasonably possible after the defect is discovered. Claims against this Warranty in writing should include the date of installation, and a description of the defect.

Other Rights

This Warranty gives you specific legal rights, and you may also have other rights which vary from state to state.

NOTE: *The Companies* as stated above refer to - Canadian Heating Products Inc. and/or Montigo Del Ray Corp.

Canadian Heating Products Inc. and/or Montigo DelRay Corp. reserves the right to make changes at any time, without notice, in design, materials, specifications, prices and also to discontinue colors, styles and products.

Appendix A - State of Massachusetts

Amendment

(Gas Fireplace / Equipment sold in the State of Massachusetts)

5.08: Modifications to NFPA-54, Chapter 10

(1) Revise NFPA-54 section 10.5.4.2 by adding a second exception as follows:

Existing chimneys shall be permitted to have their use continued when a gas conversion burner is installed, and shall be equipped with a manually reset device that will automatically shut off the gas to the burner in the event of a sustained back-draft.

(2) Revise 10.8.3 by adding the following additional requirements:

(a) For all side wall horizontally vented gas fueled equipment installed in every dwelling, building or structure used in whole or in part for residential purposes, including those owned or operated by the Commonwealth and where the side wall exhaust vent termination is less than seven (7) feet above finished grade in the area of the venting, including but not limited to decks and porches, the following requirements shall be satisfied:

1. INSTALLATION OF CARBON MONOXIDE DETECTORS. At the time of installation of the side wall horizontal vented gas fueled equipment, the installing plumber or gas fitter shall observe that a hard wired carbon monoxide detector with an alarm and battery back-up is installed on the floor level where the gas equipment is to be installed. In addition, the installing plumber or gas fitter shall observe that a battery operated or hard wired carbon monoxide detector with an alarm is installed on each additional level of the dwelling, building or structure served by the side wall horizontal vented gas fueled equipment. It shall be the responsibility of the property owner to secure the services of qualified licensed professionals for the installation of hard wired carbon monoxide detectors

a. In the event that the side wall horizontally vented gas fueled equipment is installed in a crawl space or an attic, the hard wired carbon monoxide detector with alarm and battery back-up may be installed on the next adjacent floor level.

b. In the event that the requirements of this subdivision can not be met at the time of completion of installation, the owner shall have a period of thirty (30) days to comply with the above requirements; provided, however, that during said thirty (30) day period, a battery operated carbon monoxide detector with an alarm shall be installed.

2. APPROVED CARBON MONOXIDE DETECTORS. Each carbon monoxide detector as required in accordance with the above provisions shall comply with NFPA 720 and be ANSI/UL 2034 listed and IAS certified.

3. SIGNAGE. A metal or plastic identification plate shall be permanently mounted to the exterior of the building at a minimum height of eight (8) feet above grade directly in line with the exhaust vent terminal for the horizontally vented gas fueled heating appliance or equipment. The sign shall read, in print size no less than one-half (1/2) inch in size, "GAS VENT DIRECTLY BELOW. KEEP CLEAR OF ALL OBSTRUCTIONS".

4. INSPECTION. The state or local gas inspector of the side wall horizontally vented gas fueled equipment shall not approve the installation unless, upon inspection, the inspector observes carbon monoxide detectors and signage installed in accordance with the provisions of 248 CMR 5.08(2)(a)1 through 4.

(b) EXEMPTIONS: The following equipment is exempt from 248 CMR 5.08(2)(a)1 through 4:

1. The equipment listed in Chapter 10 entitled "Equipment Not Required To Be Vented" in the most current edition of NFPA 54 as adopted by the Board; and

2. Product Approved side wall horizontally vented gas fueled equipment installed in a room or structure separate from the dwelling, building or structure used in whole or in part for residential purposes.

(c) MANUFACTURER REQUIREMENTS - GAS EQUIPMENT VENTING SYSTEM PROVIDED. When the manufacturer of Product Approved side wall horizontally vented gas equipment provides a venting system design or venting system components with the equipment, the instructions provided by the manufacturer for installation of the equipment and the venting system shall include:

1. Detailed instructions for the installation of the venting system design or the venting system components; and
2. A complete parts list for the venting system design or venting system.

(d) MANUFACTURER REQUIREMENTS - GAS EQUIPMENT VENTING SYSTEM NOT PROVIDED. When the manufacturer of a Product Approved side wall horizontally vented gas fueled equipment does not provide the parts for venting the flue gases, but identifies "special venting systems", the following requirements shall be satisfied by the manufacturer:

1. The referenced "special venting system" instructions shall be included with the appliance or equipment installation instructions; and

2. The "special venting systems" shall be Product Approved by the Board, and the instructions for that system shall include a parts list and detailed installation instructions.

(e) A copy of all installation instructions for all Product Approved side wall horizontally vented gas fueled equipment, all venting instructions, all parts lists for venting instructions, and/or all venting design instructions shall remain with the appliance or equipment at the completion of the installation.

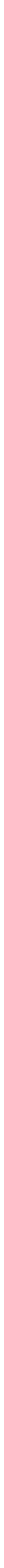
(3) After NFPA-54 section 10.10.4.2 add a new section 10.10.4.3 as follows:

When more than four gas appliances are to be vented through a common gas vent or common horizontal vent manifold, a plan of the proposed vent installation shall be submitted to the Inspector and the serving gas supplier for review and approval.

Extraction from: Massachusetts Rules and Regulations

5.00: Amendments To 2002 Edition Of ANSI Z223.1-NFPA-54

Notes



Notes

Notes





XG0750 - 011210

Canadian Heating Products Inc.
Langley, BC V4W 4A1

Montigo Del Ray Corp.
Ferndale, WA 98248